

ACN BKN ENGINE MODELS

Important Notice

The manuals contained in this computer file are reproductions from the "Wisconsin Engine" counter catalog, part number "S236". This manual was last produced in the mid 1980's.

As with any printed data, the information contained in these manuals may not be the most up-to-date available. It is provided as a convenience to our customers and all information should be verified before making repairs to an engine or component.

SERVICE FACILITIES

WISCONSIN MOTORS, L.L.C. Distributors and Service Centers, located throughout the U.S. and foreign countries, have been carefully selected to insure complete and efficient repair and inspection services to owners of **WISCONSIN MOTORS** Engines. These service centers, equipped and staffed for complete engine repair, also stock engines parts to facilitate immediate delivery for the complete line of **WISCONSIN MOTORS** Engines.

Order parts from the **WISCONSIN MOTORS, L.L.C.** Distributor or Service Center in your locality. Refer to the Yellow Pages of the Telephone Directory under **ENGINES**, or visit our website, www.wisconsinmotors.com to locate a distributor in your area. You can also call Wisconsin Motors toll free, 800-932-2858.

The **MODEL**, **SPECIFICATION** and **SERIAL NUMBER** of your engine must be given when ordering parts. The **MODEL**, **SPECIFICATION** and **SERIAL NUMBER** are on the engine nameplate.



**Wisconsin
Motors, LLC**

Sales Office

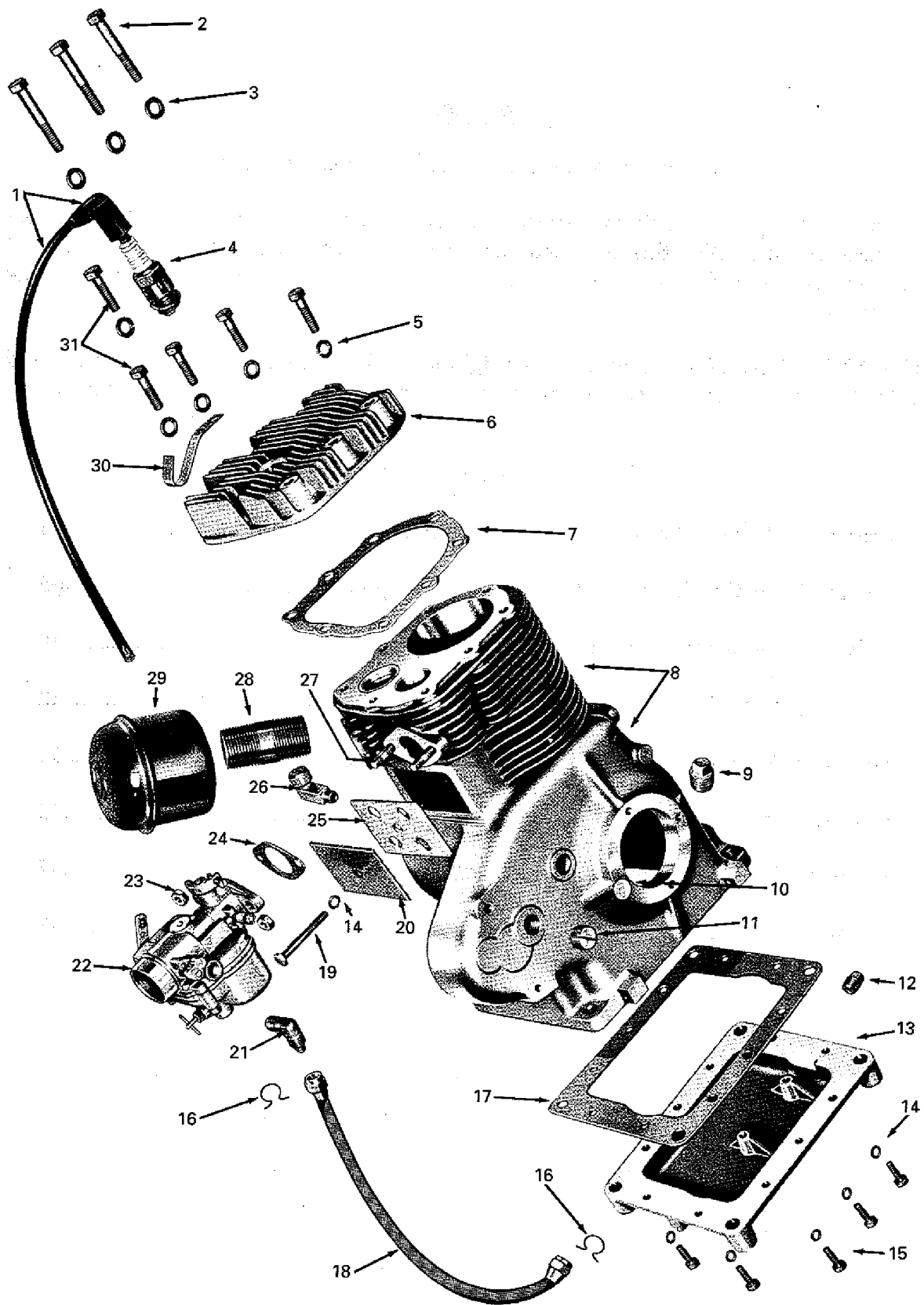
2020 Fletcher Creek Drive - Memphis, TN 38133

Phone (901) 371-0353 Toll Free 800-932-2858

www.wisconsinmotors.com

Table of Contents

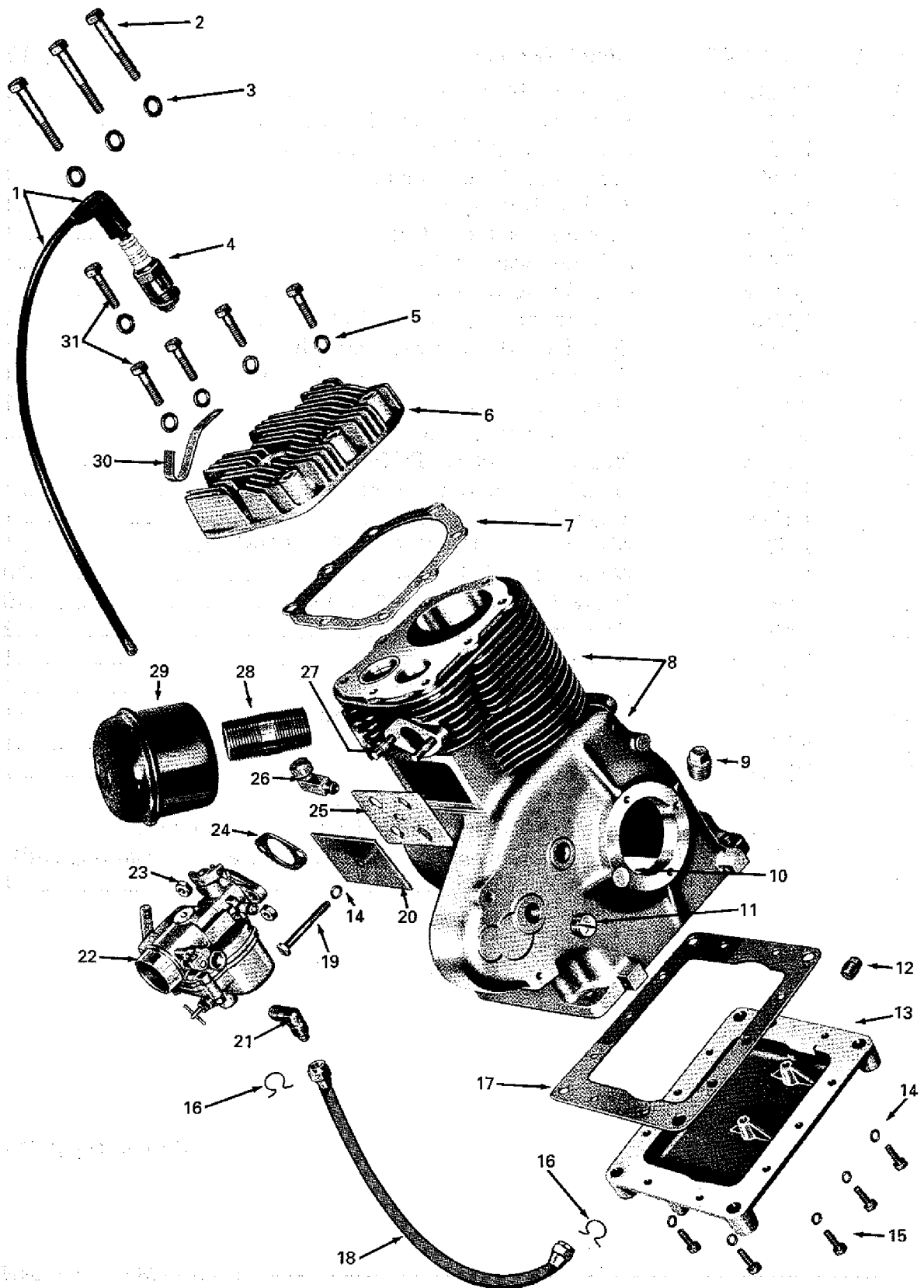
Crankcase, Base, Cylinder Head and Carburetor	2-4
Bearing Plate, Crankshaft, Piston and Connecting Rod	6-8
Valves, Governor and Camshaft	10
Oil Pump Assembly	12
Flywheel, Air Shroud and Fuel Tank	14
Rewind Starter	15
Standard Oil Bath Air Filter	17
Engine Gasket Set	19



Crankcase, Base, Cylinder Head and Carburetor

ITEM	PART NO.	DESCRIPTION	QTY
1	YL339-14	Ignition cable assembly	1
2	XD23	Screw, 5/16"-18 thread x 2" long	3
3	PH77A	Washer, 5/16" I.D. x 5/8" O.D. x 3/32" thick	7
4	YD6S1	Spark plug, Champion no. D-16-J, 18 mm	1
5	PE4	Washer, 5/16" spring lock	1
6	AB99R	Cylinder head for ACN	1
—	AB99T	Cylinder head for BKN	1
7	QD718	Cylinder head gasket for ACN	1
—	QD802	Cylinder head gasket for BKN	1
8	* AA95	Cylinder and crankcase assembly for ACN	1
—	* AA97	Cylinder and crankcase assembly for BKN	1
9	XK4	Plug, 1/2" square head pipe	1
10	SA26	Expansion plug, 5/8"	2
11	XK118	Plug, 3/8" (replaces PH25)	1
12	XK2	Plug, 1/4" square head pipe	1
13	BB116B	Engine base	1
14	PH30	Washer, 1/4" I.D. x 7/16" O.D. x 1/16" thick	1
—	PH27A	Washer, 1/4" I.D. x .040" thick	10
15	XD6	Screw, 1/4"-20 thread x 3/4" long	10
16	LK30	Hose clamp	2
17	QD569A	Gasket	1
18	LL178-14	Flexible fuel line, 14" long x 1/4"	1
19	XD11	Screw, 1/4"-20 thread x 2" long	1
20	SA61	Plate	1
21	RF1439	Elbow	1
<p>* AA95 (ACN) and AA97 (BKN) are standard machining numbers. A dash number is added for any special machining (located on marking pad).</p>			
22	**L51FS1	Carburetor for ACN	1

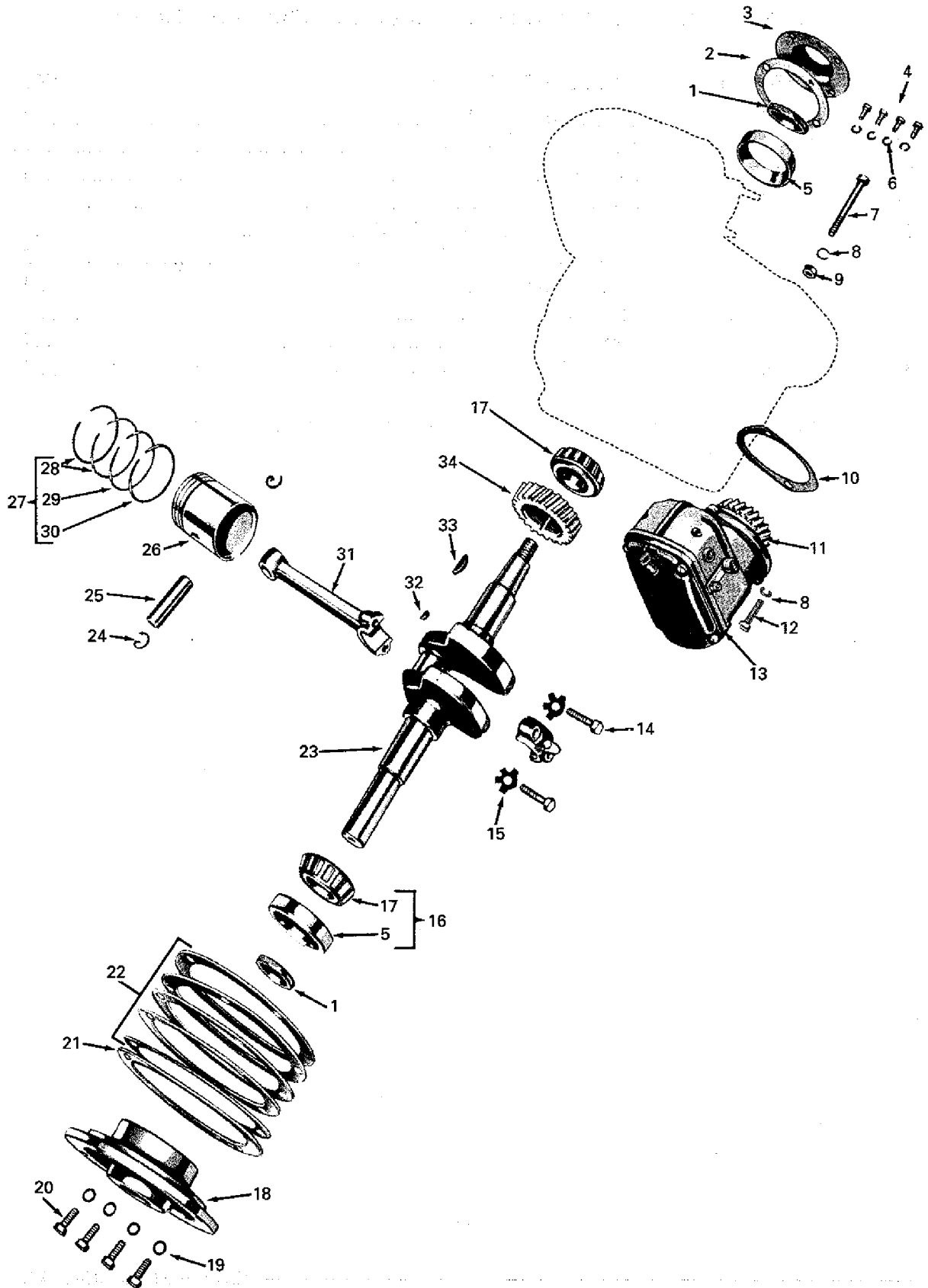
continued on page 4



Crankcase, Base, Cylinder Head and Carburetor (cont.)

ITEM	PART NO.	DESCRIPTION	QTY
—	**L51ES1	Carburetor for BKN	1
23	PD9	Nut, 1/4"-28 thread	2
24	QC53	Gasket	1
25	QD572	Gasket	1
26	LO31B	Breather (replaces LO31A)	1
27	PC368	Stud	2
28	LJ315	Pipe nipple, 1" x 2-1/2" long	1
29	WD64S5	Muffler	1
30	PG206	Strap	1
31	XD19	Screw, 5/16"-18 thread x 1-1/4" long (replaces XD19A)	5

** See "Carburetors" in Options and Accessories section of this manual for service parts.



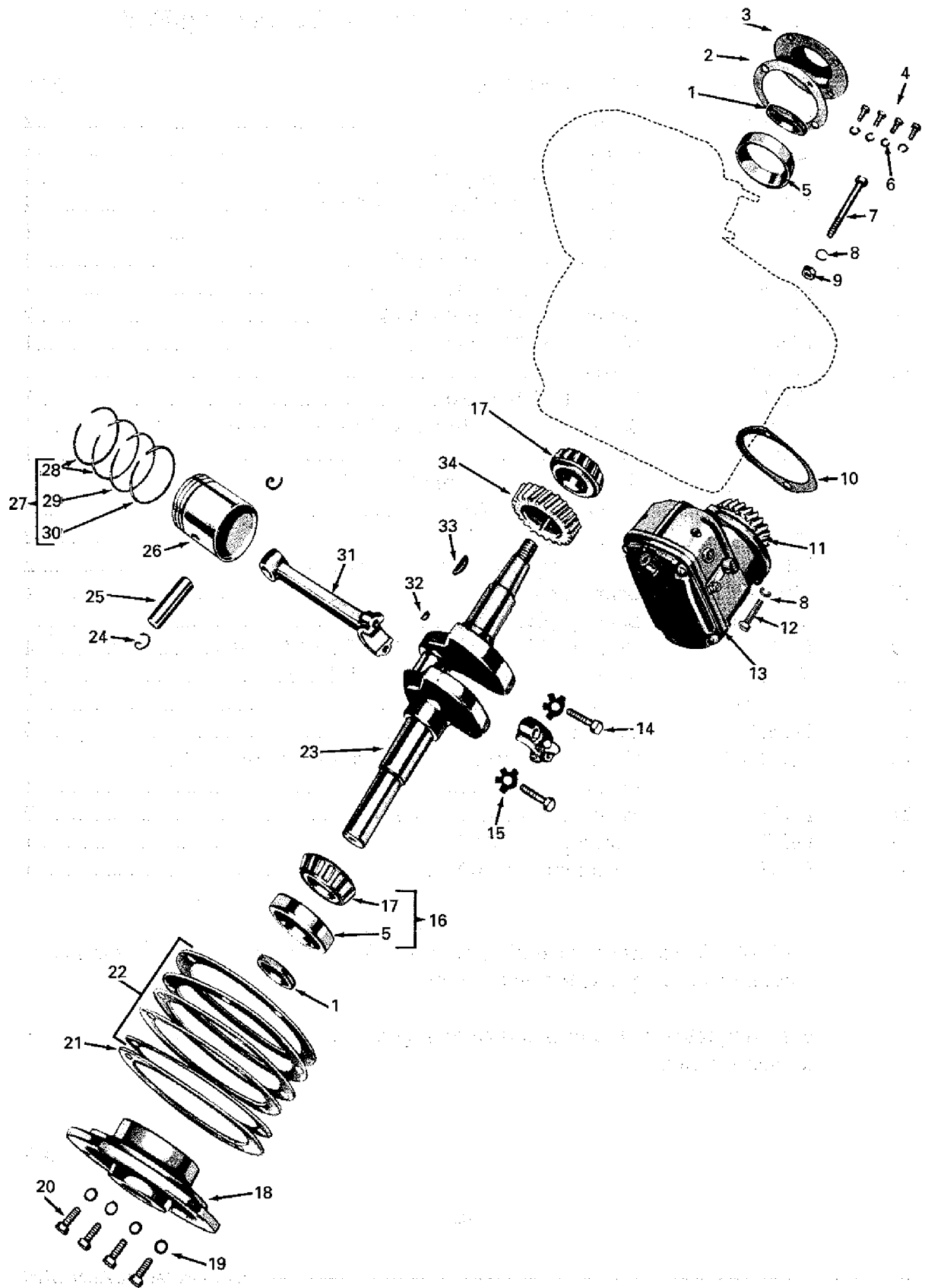
Bearing Plate, Crankshaft, Piston and Connecting Rod

ITEM	PART NO.	DESCRIPTION	QTY
1	PH294	Oil seal.....	2
2	QD574	Gasket.....	1
3	BG171S1	Bearing retainer plate.....	1
4	XD4	Screw, 1/4"-20 thread x 1/2" long	4
5	ME88-1	Bearing cup.....	1
6	PE3	Washer, 1/4" spring lock.....	4
7	PB164	Screw, 5/16"-24 thread x 2-5/8" long	1
8	PE4	Washer, 5/16" spring lock.....	2
9	PD10	Nut, 5/16"-24 thread	1
10	QD570A	Gasket.....	1
11	GD87C	Magneto drive gear	1
12	XD17	Screw, 5/16"-18 thread x 1" long (replaces PC362).....	1
13	** Y109S1	Magneto	1
14	XD19	Screw, 5/16"-18 thread x 1-1/4" long (replaces XD19A).....	2
15	PE82	Lock washer, 5/16"	2
16	ME88	Main bearing assembly (includes 5, 17)	2
17	ME88-2	Bearing cone	1
18	BG170-16S1	Bearing plate assembly	1
19	PH412	Washer, 5/16" I.D. x 1/2" O.D. x 1/16" thick	4
20	XD15	Screw, 5/16"-18 thread x 3/4" long	4
21	QD573A	Gasket.....	2
22	QD573	Gasket.....	5
23	* CA51-2S1	Crankshaft assembly (includes items 16, 32, 34; includes crankshaft)	1
24	PK69	Piston pin retaining ring.....	2
25	DE67	Piston pin for ACN	1
—	DE68	Piston pin for BKN	1

* CA51-2S1 is standard machining number. A dash number is added for any special machining (located on marking pad).

** See "Magnetos" in Options and Accessories section of this manual for service parts.

continued on page 8

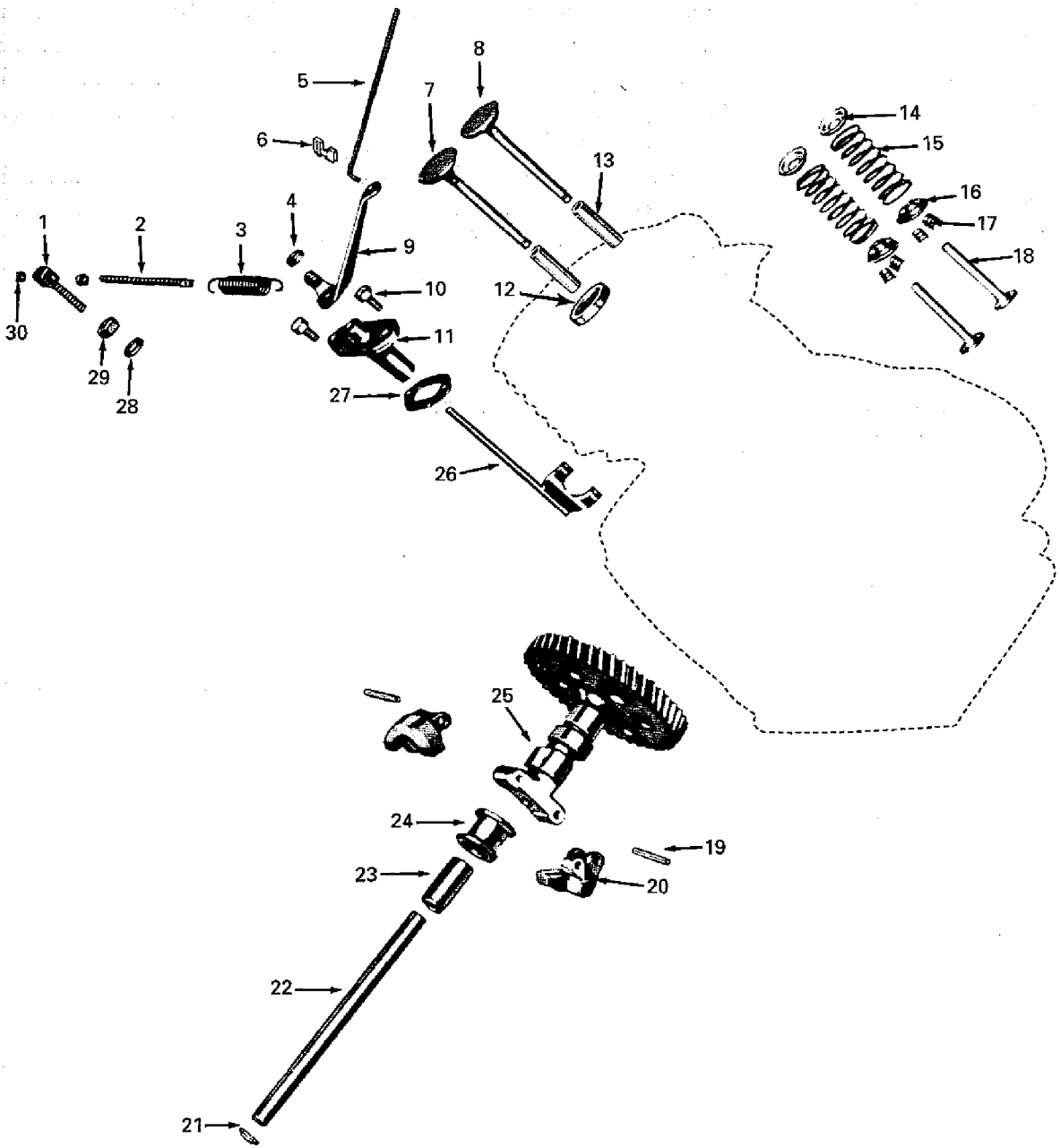


Bearing Plate, Crankshaft, Piston and Connecting Rod (cont.)

ITEM	PART NO.	DESCRIPTION	QTY
26	Δ DB218A	Piston for ACN	1
—	Δ DB186C	Piston for BKN	1
27	Δ DR29	Piston ring set (includes items 28, 29, 20) for ACN	1
—	Δ DR30	Piston ring set (includes items 28, 29, 30) for BKN	1
28	• — — —	Compression ring	2
29	• — — —	Scraper ring	1
30	• — — —	Oil ring	1
31	DA70ES1	Connecting rod - shell bearing type (includes 14, 15; includes dowels)	1
32	PL21	Key, no. 3 Woodruff	1
33	PL17	Key, no. 13 Woodruff	1
34	GA34A	Crankshaft gear	1

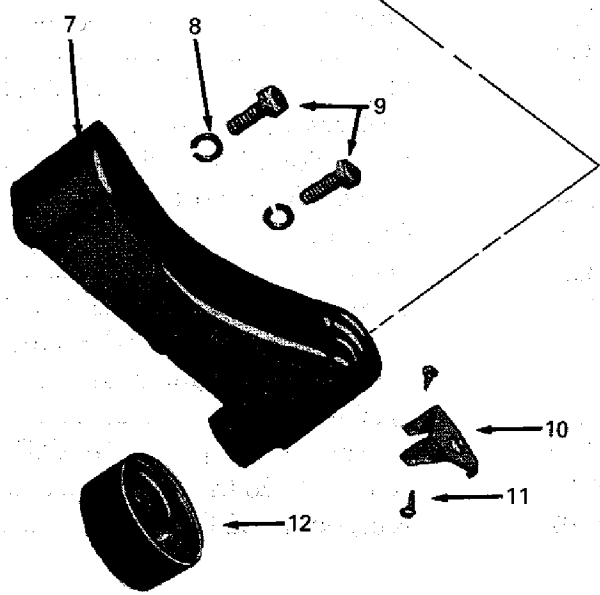
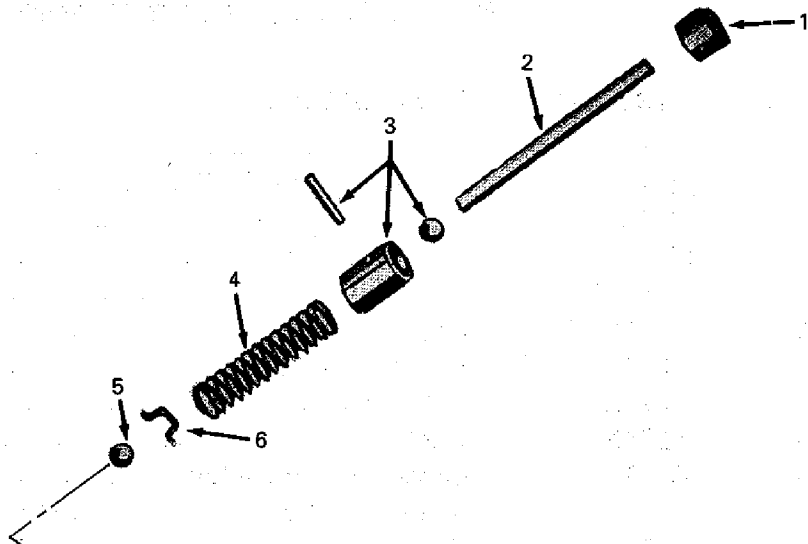
Δ Also available in .010", .020", & .030" O/S.

- Not serviced separately.



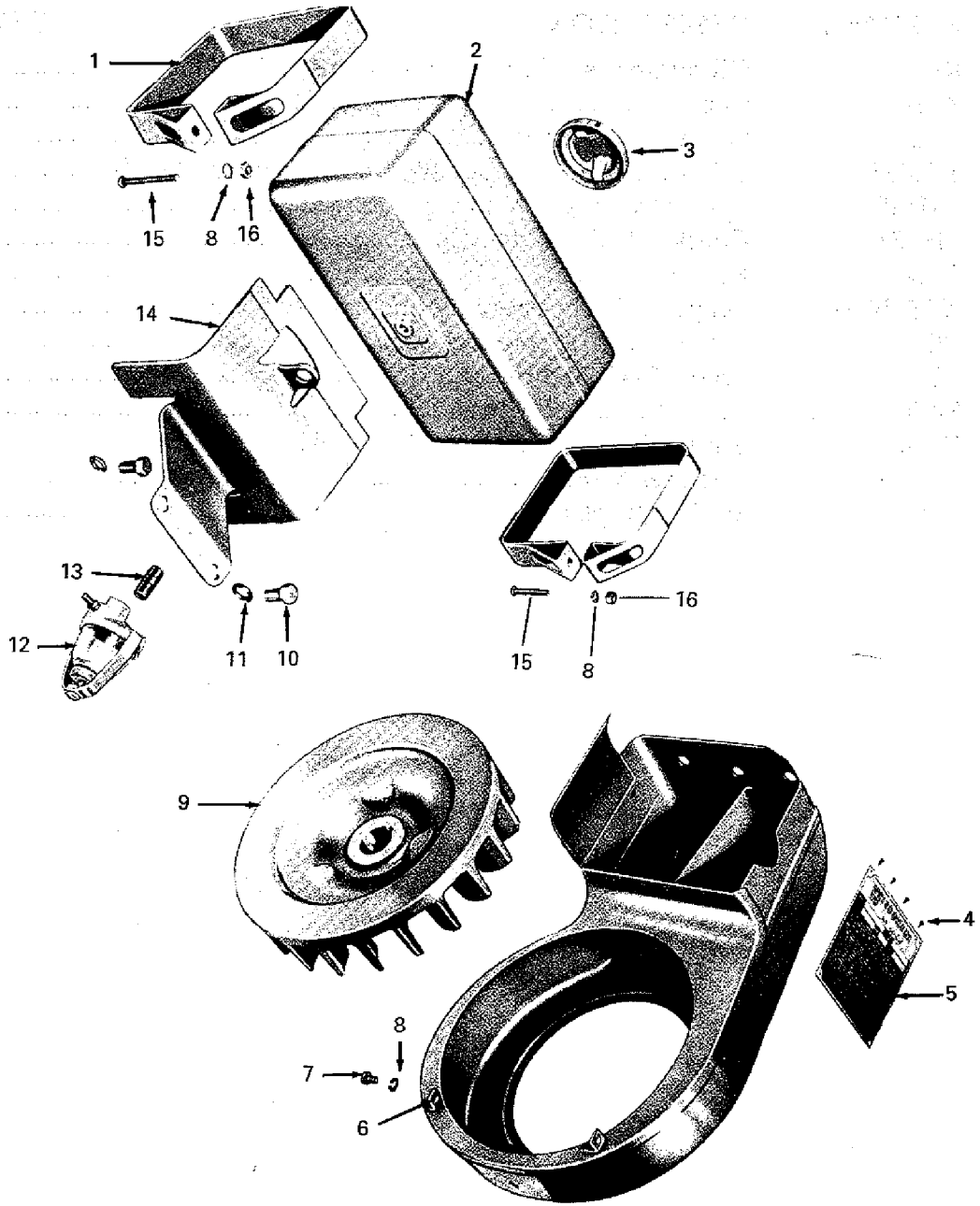
Valves, Governor and Camshaft

ITEM	PART NO.	DESCRIPTION	QTY
1	TC330	Pin	1
2	PI121A	Screw (replaces PI121)	1
3	PM74	Governor spring	1
4	PD9	Nut, 1/4"-28 thread	1
5	VE871S1	Governor control rod	1
6	PK181	Clip	1
7	AE74C	Exhaust valve, standard	1
—	AE74D	Exhaust valve, long life.....	1
8	AE74N	Inlet valve	1
9	TC332	Governor control lever	1
10	XD6	Screw, 1/4"-20 thread x 3/4" long	2
11	TC325	Bracket.....	1
12	HG214	Valve seat insert.....	1
—	HG273D	Seat insert.....	1
13	AD47	Valve stem guides	2
14	AG34A	Valve spring locator	2
15	AF43B	Valve spring, 2-7/16" free length (replaces AF43).....	2
16	AG26	Valve spring seat	2
—	AG31	Valve rotator and spring seat	1
17	AH9	Lock	2 pr
18	FA42C	Valve tappet	2
19	PA340	Pins	2
20	TC322S1	Flyweight assembly (includes thrust pin, TC328D; replaces TC3221S1).....	2
21	SA26	Expansion plug, 5/8".....	2
22	PA264	Camshaft support pin	1
23	TC321	Spacer	1
24	TC323	Sleeve.....	1
25	EA101ZS1	Camshaft and gear assembly (includes item 22; replaces EA101FS1 and EA101HS1)	1
26	TC324C	Governor yoke and shaft.....	1
27	QD571	Gasket.....	1
28	PH30A	Washer, 1/4" I.D. x 7/16" O.D. x 1/16" thick	1
29	PD77	Nut, 1/4"-20 thread	1
30	PD115	Nut, no. 10-32 thread	2



Oil Pump Assembly

ITEM	PART NO.	DESCRIPTION	QTY
—	K98	Oil pump assembly (includes items 1-12)	1
1	KF19A	Cap	1
2	KF22	Oil pump push rod	1
3	KF14S1	Oil pump plunger assembly (includes pin and ball)	1
4	PM58E	Spring (replaces PM58)	1
5	ME38A	Check ball, 5/16" dia.	1
6	PK50A	Retainer	1
7	KA59B1S1	Oil pump body assembly (includes seat, KF30)	1
8	PE3	Washer, 1/4" spring lock	2
9	XD7	Screw, 1/4"-20 thread x 1" long	2
10	SA80	Cover	1
11	XA67	Screw, Parker Kalon no. 4, 1/4" long (replaces XA64)	2
12	RD107A	Strainer (replaces RD107)	1

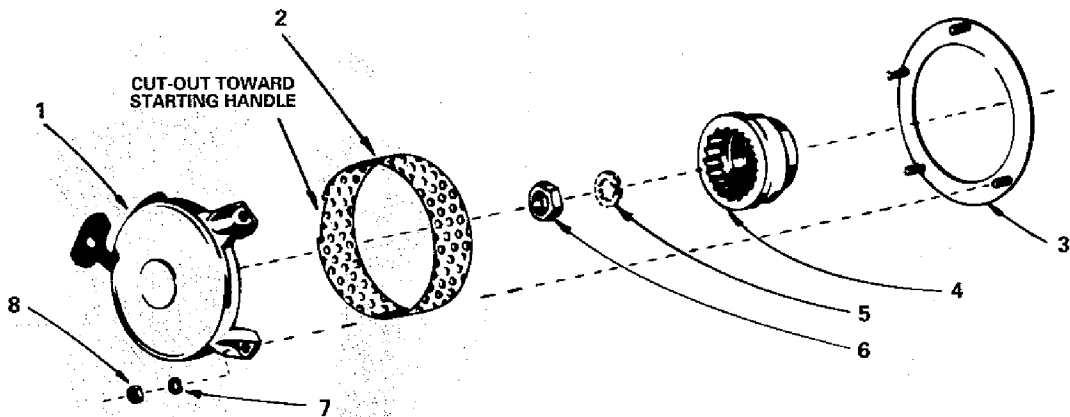


Flywheel, Air Shroud and Fuel Tank

ITEM	PART NO.	DESCRIPTION	QTY
1	PG1201	Fuel tank strap (replaces PG733).....	2
2	WE413S1	Fuel tank (replaces WE409 and WE411).....	1
3	RC122	Cap.....	1
4	XA67	Screw, name plate.....	4
5	SD312A	Name plate	1
6	SE53A24S1	Air shroud assembly (includes side shroud)	1
7	XA34	Screw, 1/4"-20 thread x 1/2" long	2
8	PE3	Washer, 1/4" spring lock.....	2
9	NC137	Flywheel.....	1
10	XD25	Screw, 3/8"-16 thread x 3/4" long	2
11	PE5	Washer, 3/8" spring lock.....	2
12	RG41	Shut-off valve and strainer	1
13	RF934	Nipple, 1/8" x 1" long	1
14	BK121	Fuel tank bracket (replaces BK79)	1
15	XA61	Screw, 1/4"-20 thread x 1-3/4" long (replaces XA52)	2
16	PD239	Nut, 1/4"-20 thread	2

RWS100 Rewind Starter Kit

USE WITH MODELS ACN, BKN



ITEM	PART NO.	DESCRIPTION	QTY
1	U278C	Rewind starter assembly	1
2	SE335	Air intake screen	1
3	PG827	Support ring	1
4	UC197	Drive cup (replaces U281)	1
5	PE112	Lock washer, 5/8"	1
6	PD162-1	Jam nut, 5/8"-18 thread	1
7	PH27A	Washer, 1/4"	4
8	PD198	Nut, 1/4"-20 thread	4

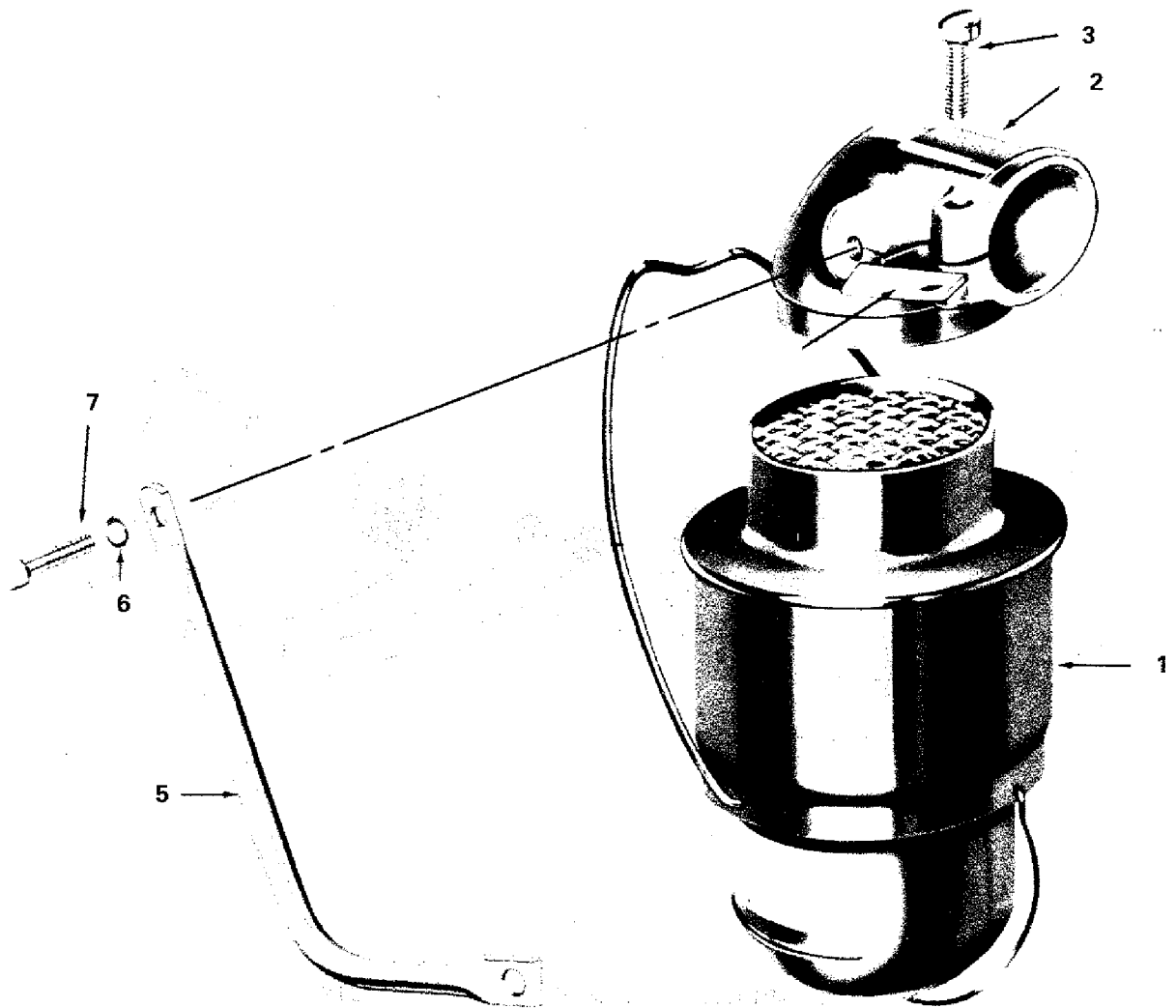
UNITED STATES PATENT OFFICE

2,174,111

APRIL 14, 1939

WALTER W. WILSON, JR., INVENTOR

BY

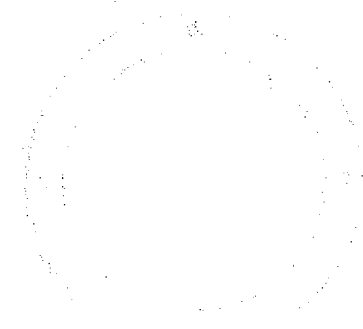


This invention relates to a portable lamp or heater, and more particularly to a device of this character which is adapted for use in a confined space, such as a tent or a small cabin, and which is capable of being operated by a battery or other source of power.

The device is adapted for use in a confined space, such as a tent or a small cabin, and is capable of being operated by a battery or other source of power.

Standard Oil Bath Air Filter

ITEM	PART NO.	DESCRIPTION	QTY
1	LO113A	Air Filter	1
2	BI298A1S1	Bracket assembly (replaces BI298-1S1)	1
3	XA38	Screw 1/4" - 20 x 3/4" long	1
4	QD647	Gasket	1
5	PG1242	Support strap (replaces PG668)	1
6	PE3	Washer 1/4" spring lock	1
7	XD6	Screw 1/4" - 20 x 3/4" long	1

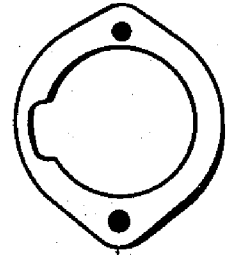




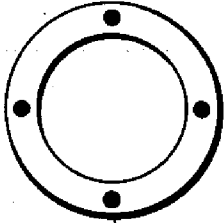
1



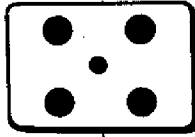
2



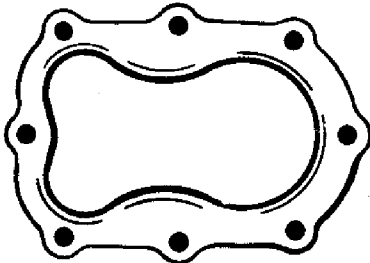
3



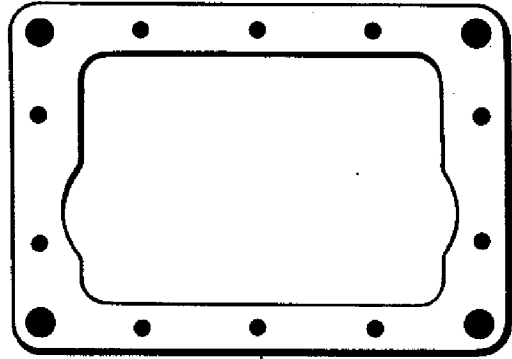
4



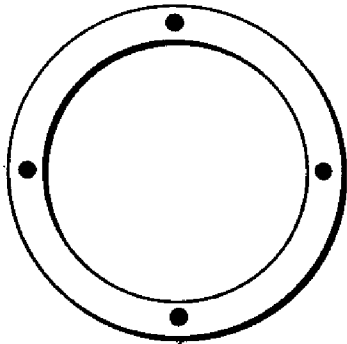
5



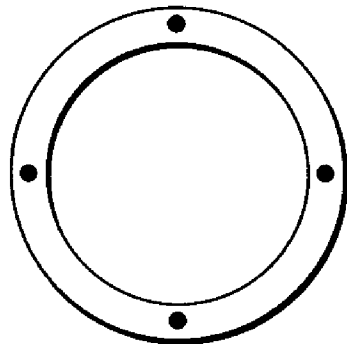
6



7



8



9

Engine Gasket Set

ITEM	PART NO.	DESCRIPTION	QTY
—	Q24	Gasket set for ACN	1
—	Q2B	Gasket set for BKNs beginning with S/N 3308222; Q2 for BKNs previous to S/N 3308222	1
1	QD571	Gasket, governor yoke shaft bracket	1
2	QC53	Gasket, carburetor flange	1
3	QD570A	Gasket, magneto flange	1
4	QD574	Gasket, bearing retainer plate, flywheel end	1
5	QD572	Gasket, valve tappet inspection plate	1
6	QD802	Gasket, cylinder head	1
7	QD569A	Gasket, engine base	1
8	QD573	Gasket, main bearing plate, take-off end, .006" thick	5
9	QD573A	Gasket, main bearing plate, take-off end, .003" thick	2

